

SupIR 15-100mm f/1.4, Motorized Continuous Zoom 680090

HD
FORMAT



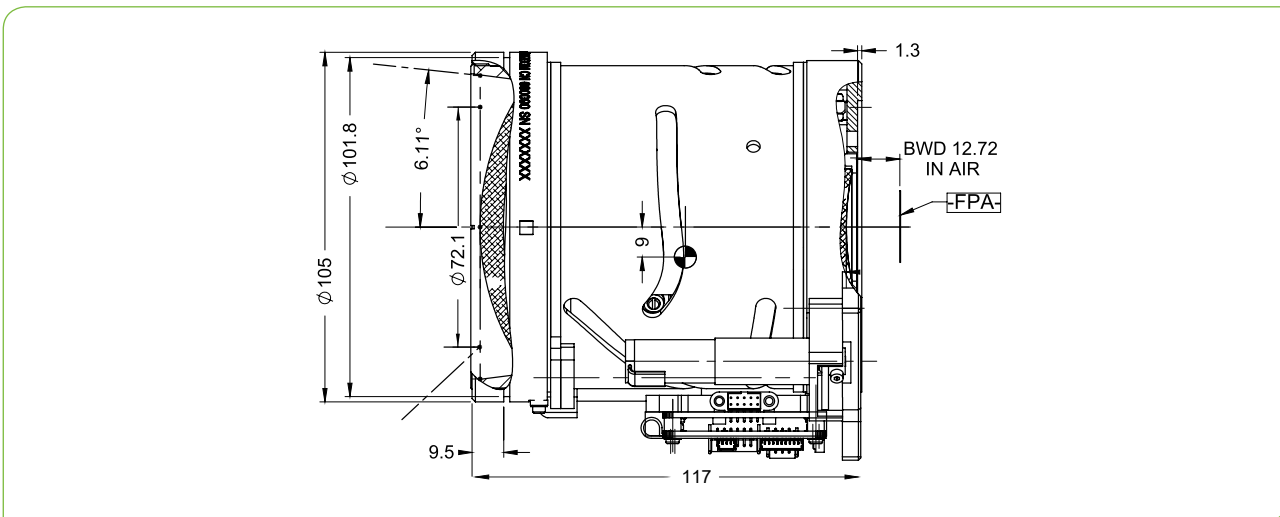
WFOV(15mm)

HFOV	320x240	640x480	1024x768
17μ	20.9°	42.2°	68.4°
12μ	15.6°	31.5°	47.8°

NFOV(100mm)

HFOV	320x240	640x480	1024x768
17μ	3.1°	6.2°	9.9°
12μ	2.2°	4.4°	7.0°

Property	Value	
Optical	WFOV	NFOV
Focal Length	15mm	100mm
F#	1.4	
Average transmission (8-12μm)	91% (HD) / 84% (LRHC)	
Back Focal Length	16.07mm in air	
Minimum Focus Range	1m	10m
Nuc (by defocus)	Yes	
Mechanical		
Focus Mechanism	Motorized	
Focus Time (minimum range to ∞)	≤8 sec.	
Zoom Mechanism	Motorized	
Zoom Time (NFOV to WFOV)	≤5.5 sec.	
Weight	1.35kg	
Max. Dimensions	Ø105mm x 117mm	



LWIR | ZOOM

Property		Value				
Electrical						
Lens Control		Designated lens controller				
Supply Voltage		12V				
Current Consumption		0.2A average, 0.5A peak				
Communication Protocol		RS422				
Environmental						
Operation Temperature		-32°C to +80°C				
Storage Temperature		-54°C to +85°C				
Sealing		IP 67 front element only				
Configurations	Weight (gr)	Dimensions	BWD**	Interface	Coating	
680090-007					HD	
680090-008	1350	Ø105mm x 117mm	12.72	8x #6-32 UNC	HC	
680090-009					LRHC	

* The ICD drawing provided here is primarily a representation and may not accurately reflect the product's actual dimensions and specifications. For precise integration specifications contact your local sales representative.

** The BWD value is calculated for a unique detector setup with varying sealing windows in terms of thickness and material. For more details, contact your local sales representative.